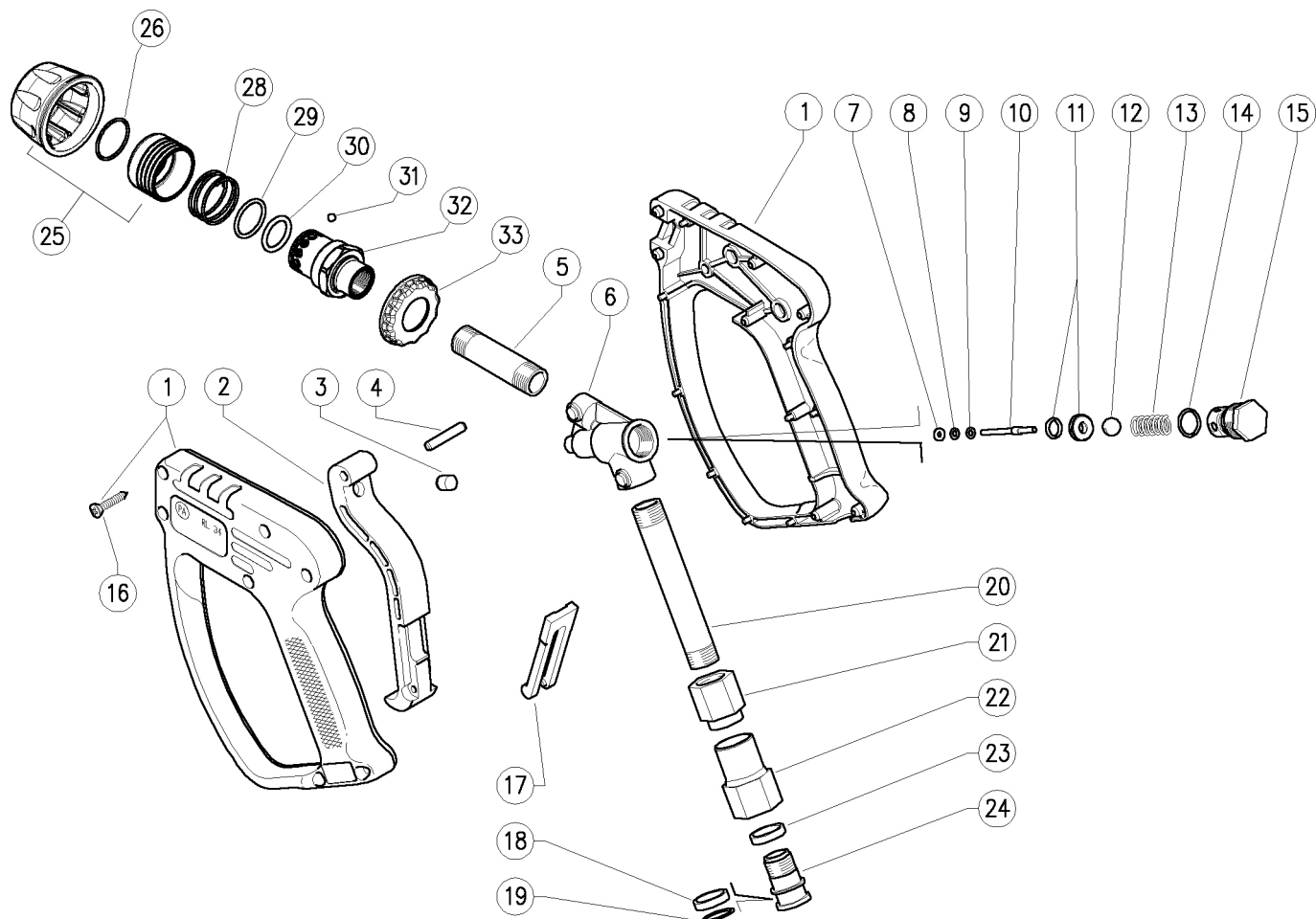


30.2960.00 RL34 br. spr.gun sw5- 1/2F Bsp+ARS 178 B



K1K2K3K4

K1K2K3K4

1	30.2903.24	Casing-kit -RL34 +screws, Sst.	1				1
2	30.2543.84	Blue trigger RL34-82	1				2
3	30.0675.84	Stop pin, 8x7,1mm PA	1				10
4	30.2517.31	Parallel pin, 5x27,5 mm brass	1				10
5	30.2807.56	Front tube, 53mm-M16x1 MM Sst.	1				3
6	30.2901.35	Brass housing RL34	1				2
7	10.4018.00	Back-up ring, 3,2x7,5x1,2 mm	1				10
8	10.3165.00	O-ring, 2,62x2,84 mm Vi 70	1				10
9	14.3511.00	Washer, 3,2x7x0,5 mm sst.	1				10
10	30.2802.51	Sst.plunger D.4x3x L.43mm	1				10
11	30.2806.20	Seat, 9mm Sst.+O-ring	1				10
12	14.7461.00	Ball, 13/32" Sst.	1				10
13	30.4108.51	Spring, 1,6x8,8x24 mm Sst.	1				10
14	10.3060.10	O-ring, 1,78x12,42 mm Vi 70	1				10
15	30.2803.31	Spring plug M18 brass	1				3
16	16.3075.51	S/tapping scr. 3,5x18 mm sst.	7				10

17	30.1510.84	Safety latch, PA red	1				10
18	26.1075.85	Bushing, open 15,5x19x4 mm PTFE	1				5
19	10.3092.10	O-ring, 2x15 mm Vi 70	1				10
20	30.3173.36	Tube L.96mm M16x1 mm brass	1				5
21	30.3181.31	Coupling M15xM16 Brass	1				3
22	30.3182.31	Coupling 1/2 F Bsp, nickel-plated brass	1				3
23	26.1074.85	Bushing, 15,5x19x4 mm PTFE	1				5
24	26.1072.31	Pin, M15x1-19 mm brass	1				10
25	30.2812.21	Hand nut, ARS 178 blue	1				5
26	26.2504.51	Snap ring, 1,3 mm sst	1				10
28	26.2502.51	Sst spring, 1,3x26x22mm	1				10
29	10.3068.10	O-ring, 1,78x17,17 mm Vi 70	1				10
30	10.3181.25	O-Ring, 2,62x15,88 mm Vit.	1				10
31	14.7405.00	Ball, 5/32" Sst.	12				10
32	30.2808.51	Housing -ARS178, M16- F Sst.	1				5
33	30.2810.84	Guard ring, ARS 178 blue	1				5