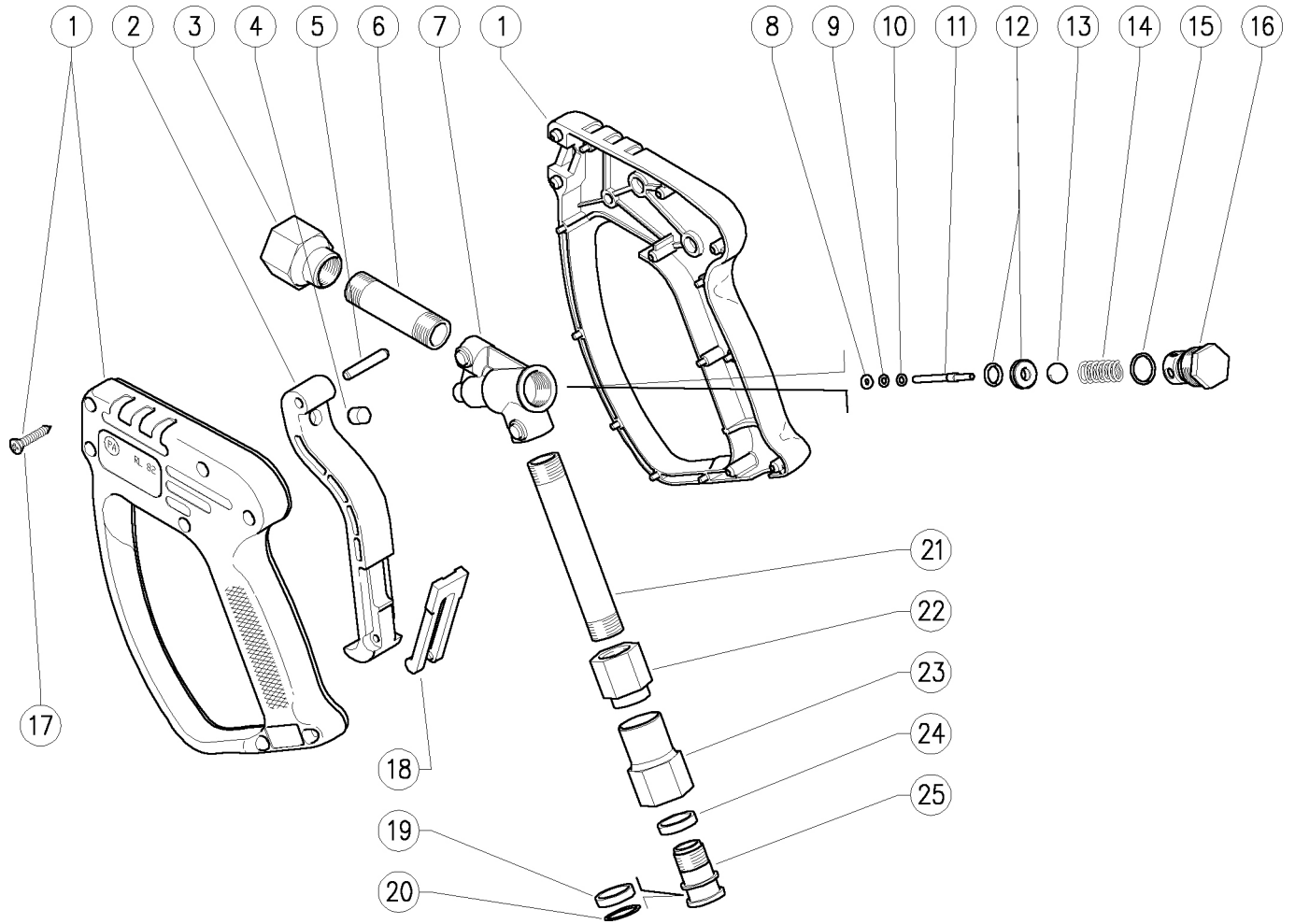


30.2800.00 RL82 sst spr.gun sw5- 1/2F-1/2F Bsp  
 30.2800.50 RL82 sst spr.gun sw5- 1/2F-1/2F Npt

30.2830.60 RL86 Ai 316 sst spr.gun sw5- 1/2F-1/2F Bsp



		K1	K2	K3	K4
1	30.2805.24 Casing-kit -RL82 +screws, Sst.	1			1
1	30.2836.24 Casing-kit -RL86 +screws, Sst. (1)	1			1
2	30.2543.84 Blue trigger RL34-82	1			2
2	30.2506.84 Trigger -RL31, PA black (1)	1			10
3	30.3171.51 Coupl., M16x1F-1/2F Bsp Sst.	1			3
3	30.3176.51 Coupl., M16x1F-1/2F Npt Sst. (2)	1			3
3	30.3171.60 Coupl., M16x1F-1/2F Bsp- Ai316 Sst. (1)	1			3
4	30.0675.84 Stop pin, 8x7,1mm PA	1			10
5	30.2517.31 Parallel pin, 5x27,5 mm brass	1			10
6	30.3180.56 Tube, M16x1 MM 57mm Sst.	1			3
6	30.3180.60 Tube, M16x1 MM 57mm- Ai316 Sst. (1)	1			3
7	30.2804.55 Sst.housing RL82	1			2
7	30.2804.60 Ai316 sst.housing RL86 (1)	1			2
8	10.4018.00 Back-up ring, 3,2x7,5x1,2 mm (1)	1	•	•	10
9	10.3165.00 O-ring, 2,62x2,84 mm Vi 70	1	•	•	10
10	14.3511.00 Washer, 3,2x7x0,5 mm sst.	1			10
10	14.3511.60 Washer, 3,2x7x0,5 mm Ai316 sst. (1)	1			10
11	30.2802.51 Sst.plunger D.4x3x L.43mm	1	•		10
11	30.2802.60 Ai 316 sst.plunger D.4x3x L.43mm	1	•		5
12	30.2806.20 Seat, 9mm Sst.+O-ring	1	•		10
12	30.2831.60 Seat, 9mm Ai316 sst.	1	•		5
12	10.3059.10 O-ring, 1,78x11,11 mm Vi 70	1	•		10

		K1	K2	K3	K4
13	14.7461.00 Ball, 13/32" Sst.	1	•		10
13	14.7462.00 Ball, 13/32" ceramics	1	•		10
14	30.4108.51 Spring, 1,6x8,8x24 mm Sst.	1			10
14	30.2832.60 Spring, 1,8x8,7x22 mm Ai 316 sst. (1)	1			5
15	10.3060.10 O-ring, 1,78x12,42 mm Vi 70 (1)	1	•	•	10
16	30.2803.51 Sst. plug M18	1			3
16	30.2803.60 Ai 316 sst. plug M18 (1)	1			3
17	16.3075.51 S/tapping scr. 3,5x18 mm sst.	7			10
18	30.1515.84 Safety latch, PA blue	1			10
19	26.1075.85 Bushing, open 15,5x19x4 mm PTFE	1	•	•	5
20	10.3092.10 O-ring, 2x15 mm Vi 70	1	•	•	10
21	30.3173.56 Tube, M16x1 MM 96mm Sst.	1			5
21	30.3173.60 Tube, M16x1 MM 96mm Ai 316 sst. (1)	1			5
22	30.3181.51 Coupl., M16x1F-M15x1F Sst.	1			3
22	30.3181.60 Coupl., M16x1F-M15x1F Ai 316 sst. (1)	1			3
23	30.3182.51 Coupl., 1/2F Bsp Sst.	1			3
23	30.3187.51 Coupl., 1/2F Npt Sst. (2)	1			3
23	30.3182.60 Coupl., 1/2F Bsp Ai 316 sst. (1)	1			3
24	26.1074.85 Bushing, 15,5x19x4 mm PTFE (1)	1	•	•	5
25	26.1072.51 Pin, M15x1-19 mm Sst.	1			5
25	26.1072.60 Pin, M15x1-19 mm Aisi 316 Sst. (1)	1			5

K1	30.2905.24 Spares kit -RL34, 9(10)x1pcs.	1
K2	30.2837.24 Spares kit -RL86, 10 x1pcs.	1

(1) 30.2830.60 (2) 30.2800.50