



EQUIPAGGIAMENTI
TECNICI
LAVAGGIO

40.0280.00

Lancia schiuma x ARS178 – Inox
Foam lance x ARS 178 – Stainless Steel



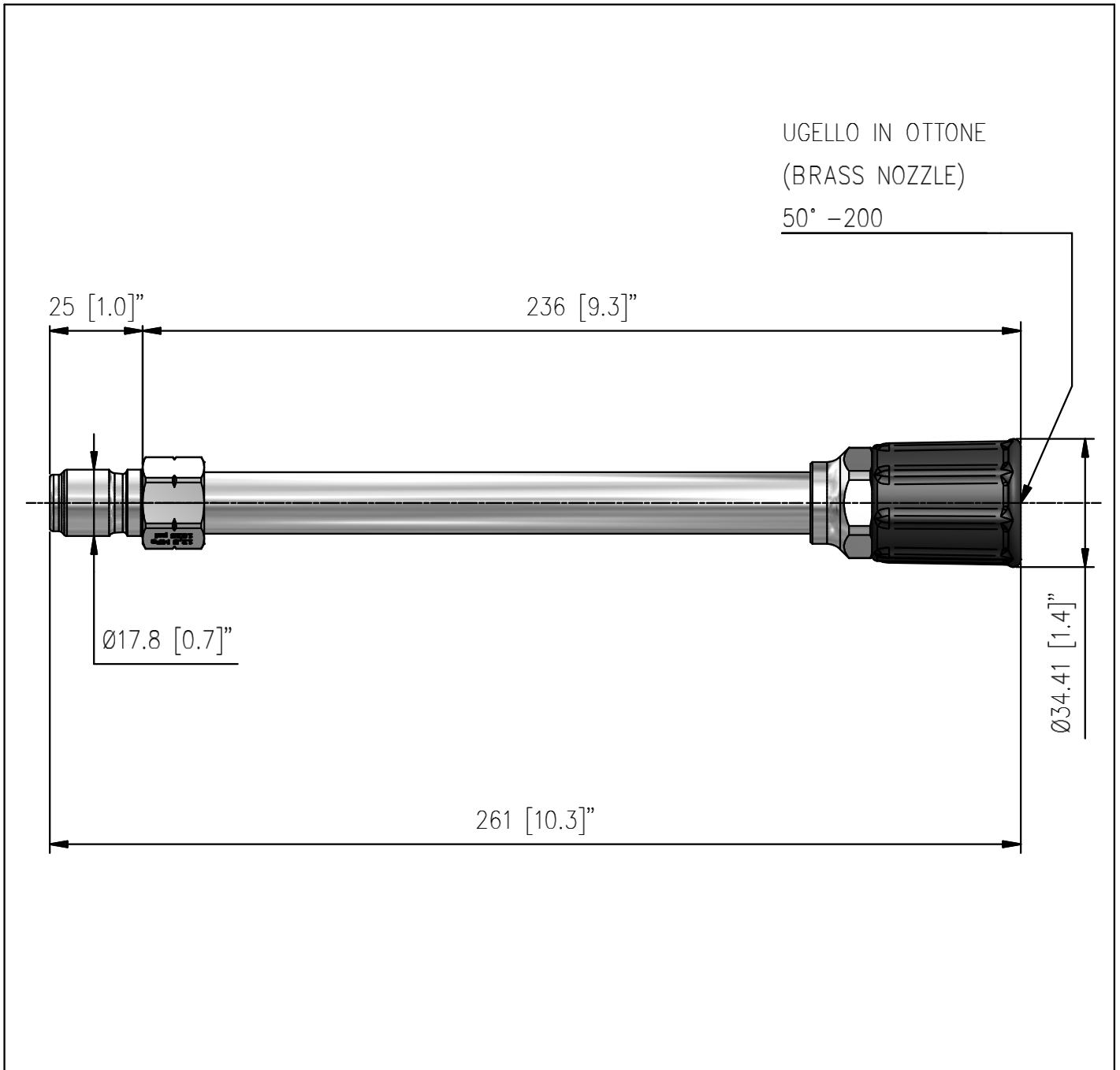
3

04/02/11

CARATTERISTICHE TECNICHE – SPECIFICATIONS

– PRESSIONE NOMINALE <i>RATED PRESSURE</i>	125 bar – 12.5 MPa (1850 psi)
– PRESSIONE CONSENTITA <i>PERMISSIBLE PRESSURE</i>	140 bar – 14 MPa (2025 psi)
– PORTATA MASSIMA <i>MAX FLOW RATE</i>	50 l/min (13.2 USG p.m.)
– TEMPERATURA MASSIMA <i>MAX WORKING TEMPERATURE</i>	90° C (195° F)
– MASSA <i>WEIGHT</i>	320 g (85.54 oz.)

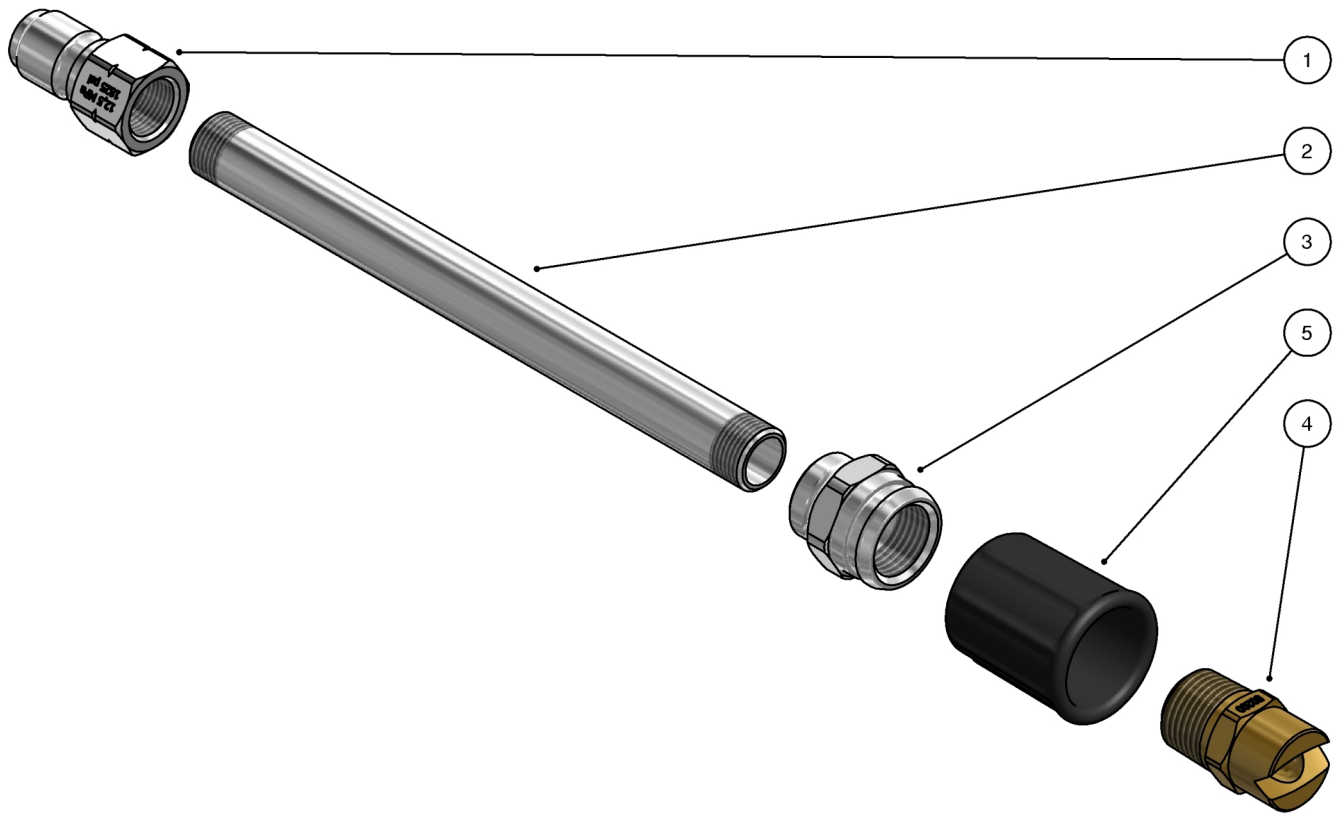
MISURE D'INGOMBRO – OVERALL DIMENSIONS



40.0280.00 Prol.185mm+Ars178+ugello 50/200

40.0280.80 Prol.185mm+Ars178+ugello 50/200

40.0280.60 Prol.185mm+Ars178+ugello 50/200



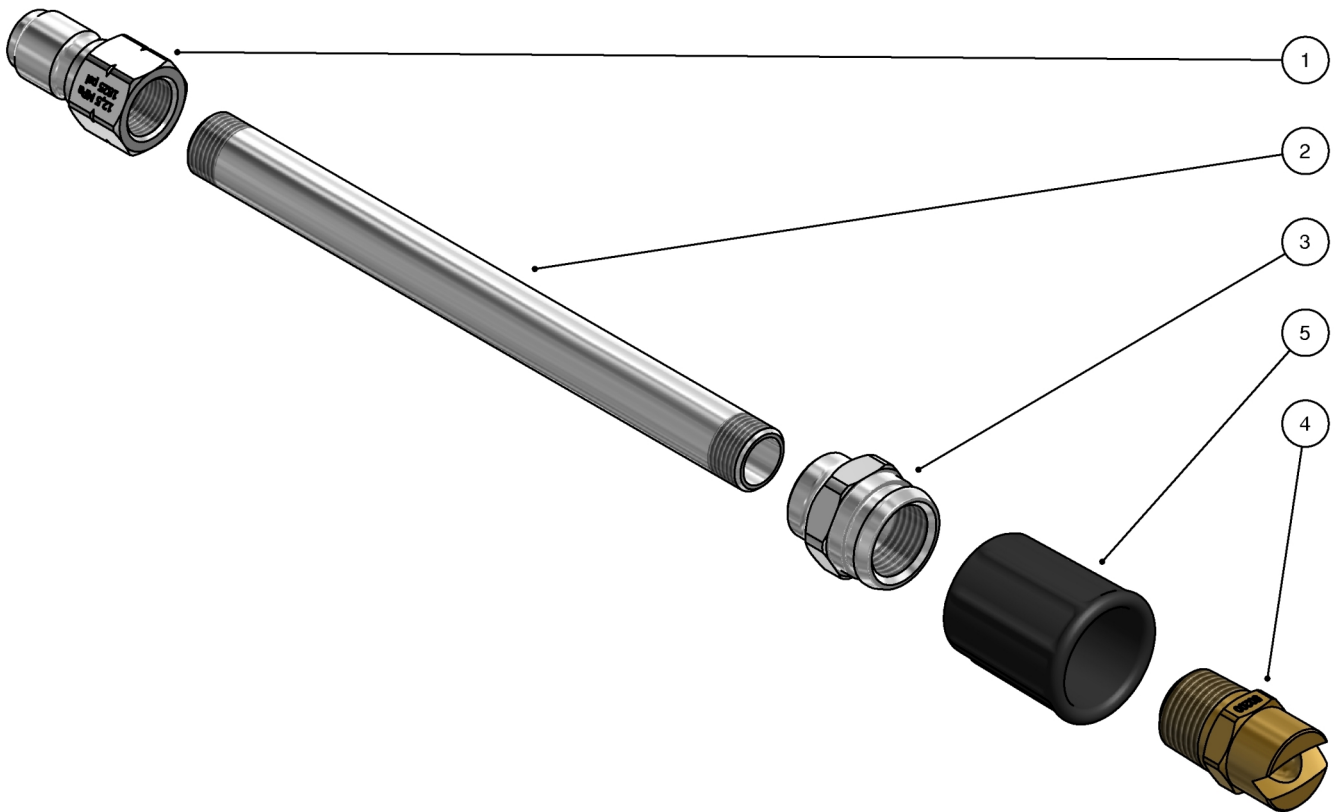
Pos.	Codice	Descrizione	Q.tà	K1	K2	K3	K4	
1	26.2530.10	ARS178L- A- A.r.sfera 12,5 MPa G3/8 F inox	1					5
2	40.0282.56	Tubo G3/8 MM 185 mm inox	1					1
3	40.0281.51	Portaugello G1/2F- inox	1					1
4	16.1361.20	Ugello Bp 50°.200 Gc1/2 inox (1)	1					2

Pos.	Codice	Descrizione	Q.tà	K1	K2	K3	K4	
4	16.1360.20	Ugello Bp 50°.200 Gc1/2 ott- (2,3)	1					3
5	40.0283.84	Protezione ugello nera (2)	1					1
5	40.0285.84	Protezione ugello blu (3,1)	1					1

(1) 40.0280.80 (2) 40.0280.00 (3) 40.0280.60

40.0280.00 Ext.185mm+Ars178+br.nozzl. 50/200 +bl.tip
 40.0280.60 Ext.185mm+Ars178+br.nozzl. 50/200+blue tip

40.0280.80 Ext.185mm+Ars178+sst.nozzl. 50/200+blue



Pos.	P/N	Description	Q.ty	K1	K2	K3	K4	
1	26.2530.10	ARS178L-Sst ball-type nipple A-3/8 F Bsp	1					5
2	40.0282.56	Tube, 3/8Bsp MM 185 mm Sst.	1					1
3	40.0281.51	Nozzle Holder, 1/2F Bsp- Sst.	1					1
4	16.1361.20	Sst nozzle 50°.200 1/2 Bst (1)	1					2

Pos.	P/N	Description	Q.ty	K1	K2	K3	K4	
4	16.1360.20	Brass nozzle 50°.200 1/2 Bst (2,3)	1					3
5	40.0283.84	Nozzle protection, black (2)	1					1
5	40.0285.84	Nozzle protection, blue (3,1)	1					1

(1) 40.0280.80 (2) 40.0280.00 (3) 40.0280.60